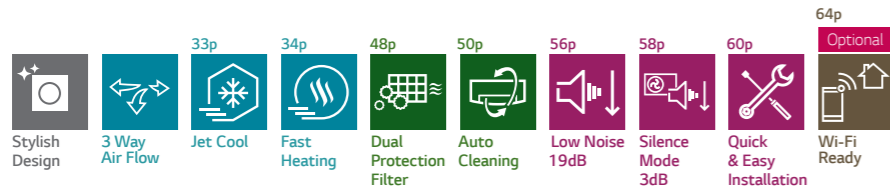


# ARTCOOL Stylist Smart Inverter



9K  
G09WL  
12K  
G12WL

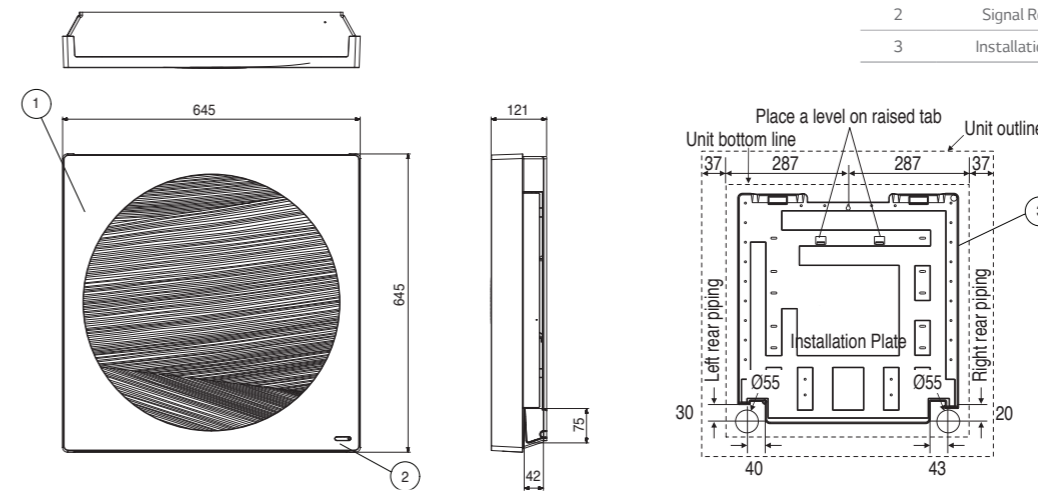


Unit				9K	12K
Model Indoor Unit				ASNW0963WB0	ASNW1263WB0
Model Outdoor Unit				ASUW0963WB0	ASUW1263WB0
<b>Indoor Unit</b>					
Capacity	Cooling	Min/Rated/Max	W	1300/2500/3500	1300/3500/4000
	Heating	Min/Rated/Max	W	1300/3000/4200	1300/3500/5000
Power Input	Cooling	Rated	W	690	1090
	Heating +7°C	Rated	W	830	970
EER			W/W	3.61	3.21
	S.E.E.R.			5.70	5.60
P design C			kW	2.50	3.50
COP			W/W	3.61	3.61
S.C.O.P.				3.80	3.80
P design H			kW	2.70	3.30
S.E.E.R.				5.7	5.6
S.C.O.P.				3.8	3.8
Energy Label	Cooling		A+	A+	A+
	Heating		A	A	A
Annual Energy Consumption	Cooling		kWh	170	220
	Heating		kWh	1100	1224
Power Supply			Ø / V / Hz	1/220-240/50	1/220-240/50
	Sound Pressure	Cooling	S/L/M/H	dB(A)	19/29/34/39
Air Flow Rate	Cooling	Max (Power)	m³/min	9.7	10.5
	Air Flow Rate	Cooling	S/L/M/H	m³/min	4.5/6.0/7.0/8.0
Dehumidification Rate			L/M/H	6.6/7.5/8.5	6.6/7.5/8.5
	Running Current	Cooling	Rated/Max	A	4/6.0
Starting Current	Heating	Rated/Max	A	4/7.0	4.5/7.0
	Circuit Breaker	Cooling	Rated	A	4
Power Supply Cable	Heating	Rated	A	4	4.5
			A	15	15
Power & Transmission Cable			N x mm²	3*1.0	3*1.0
Dimension			N x mm²	4*1.0(Including Earth)	4*1.0(Including Earth)
Net Weight			mm	645*645*121	645*645*121
Fan Motor Output			kg	18	18
<b>Outdoor Unit</b>					
Operation Range	Cooling	Min~Max	°CDB	-10~48	-10~48
	Heating	Min~Max	°CDB	-15~24	-15~24
Sound Pressure	Cooling	High	dB(A)	45	45
	Heating	High	dB(A)	45	45
Sound Power	Cooling	High	dB(A)	65	65
Air Flow Rate	Cooling	High	m³/min	33	33
	Piping	Length (Odu/Idu)	m	-	-
Piping Connection	Elevation (Odu/Idu)	Min	m	15	15
		Max	m	10	10
	Liquid	OD(Outside)	mm	6.35	6.35
		OD(Outside)	inch	1/4	1/4
	Gas	OD(Outside)	mm	9.52	9.52
		OD(Outside)	inch	3/8	3/8
Drain	OD(Outside)	mm	21.5	21.5	
	OD(Outside)	inch	0.85	0.85	
Refrigerant	Type			R410a	R410a
	Charge at 7.5m		g	1000	1000
Fan Motor Output	Additional charge		g/m	20	20
Compressor Type			W	43	43
Net Weight			kg	34	34
Dimension			mm	770*545*288	770*545*288

\* Specification, design and feature are subject to change without prior notice.

## ASNW0963WB0 / ASNW1263WB0

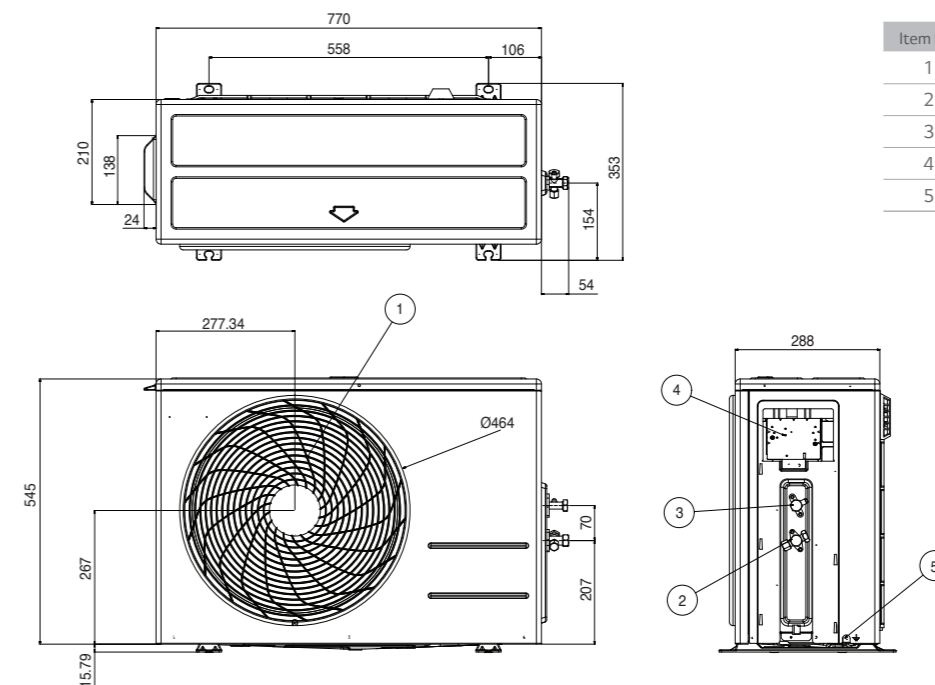
(Unit: mm)



Item No.	Part Name	Remark
1	Front Panel	
2	Signal Receiver	
3	Installation Plate	

## ASUW0963WB0 / ASUW1263WB0

(Unit: mm)



Item No.	Part Name
1	Air Discharge Grille
2	Gas Pipe Connection Port
3	Liquid Pipe Connection Port
4	Control Box
5	Earth Screw

\* This product contains Fluorinated greenhouse gases (R410A).